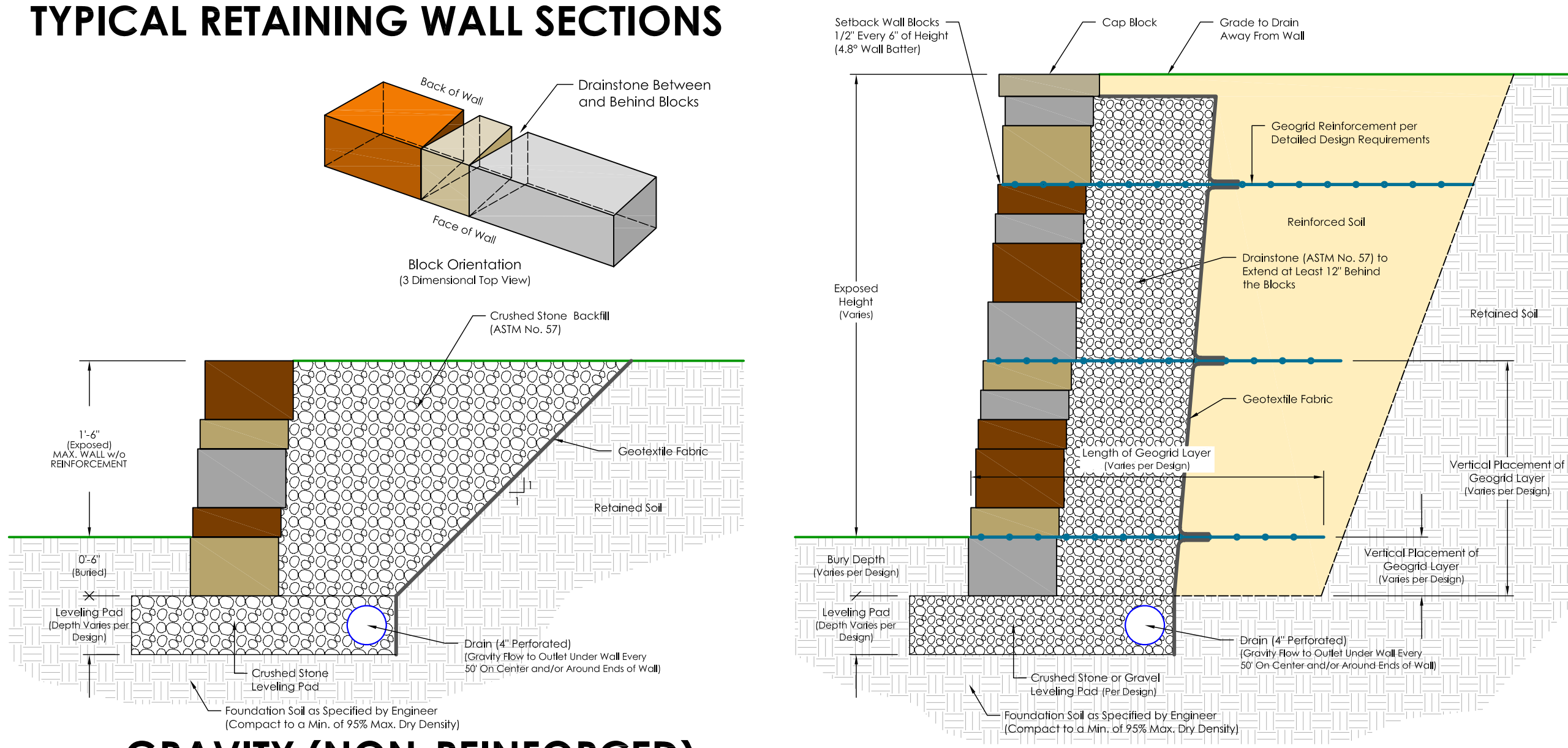


TYPICAL RETAINING WALL SECTIONS

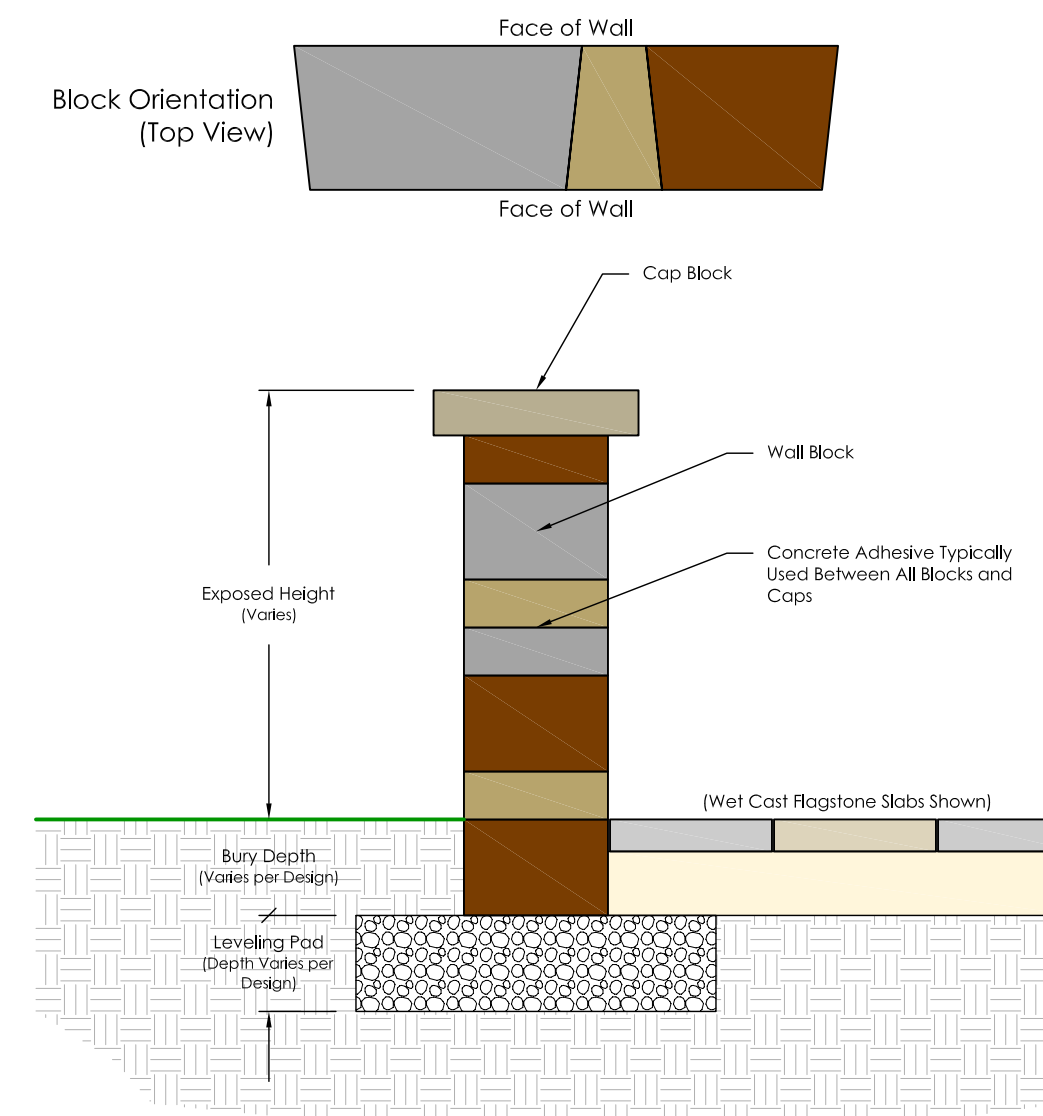


GRAVITY (NON-REINFORCED)

This drawing is for reference only. Final design for construction must be prepared by a registered Professional Engineer, using the actual conditions of the proposed site. Final wall design must address both internal and external drainage and shall be evaluated by the Professional Engineer who is responsible for the wall design. Block sizes and placement shown are for reference only. Individual Belvedere blocks will vary with installation pattern.

REINFORCED

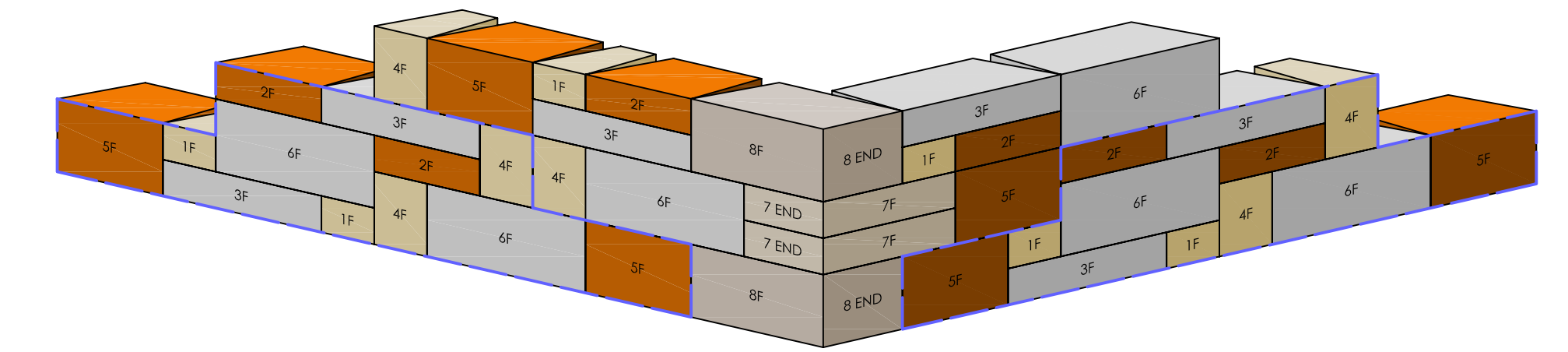
TYPICAL FREESTANDING WALL SECTION



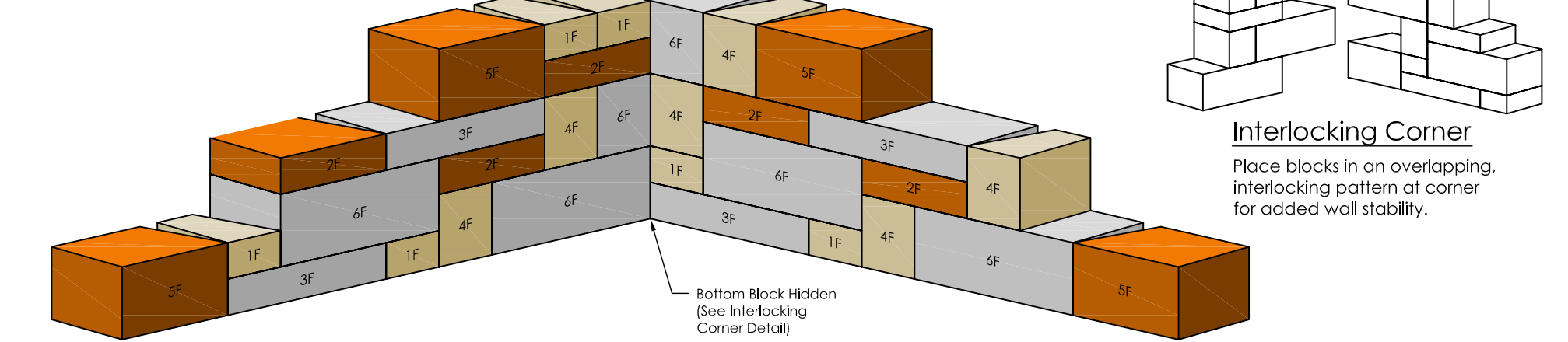
This drawing is for reference only. Final design for construction for walls subject to any loading must be prepared by a registered Professional Engineer. Block sizes and placement shown are for reference only. Individual Belvedere blocks will vary with installation pattern.

CORNER DETAILS

OUTSIDE CORNER



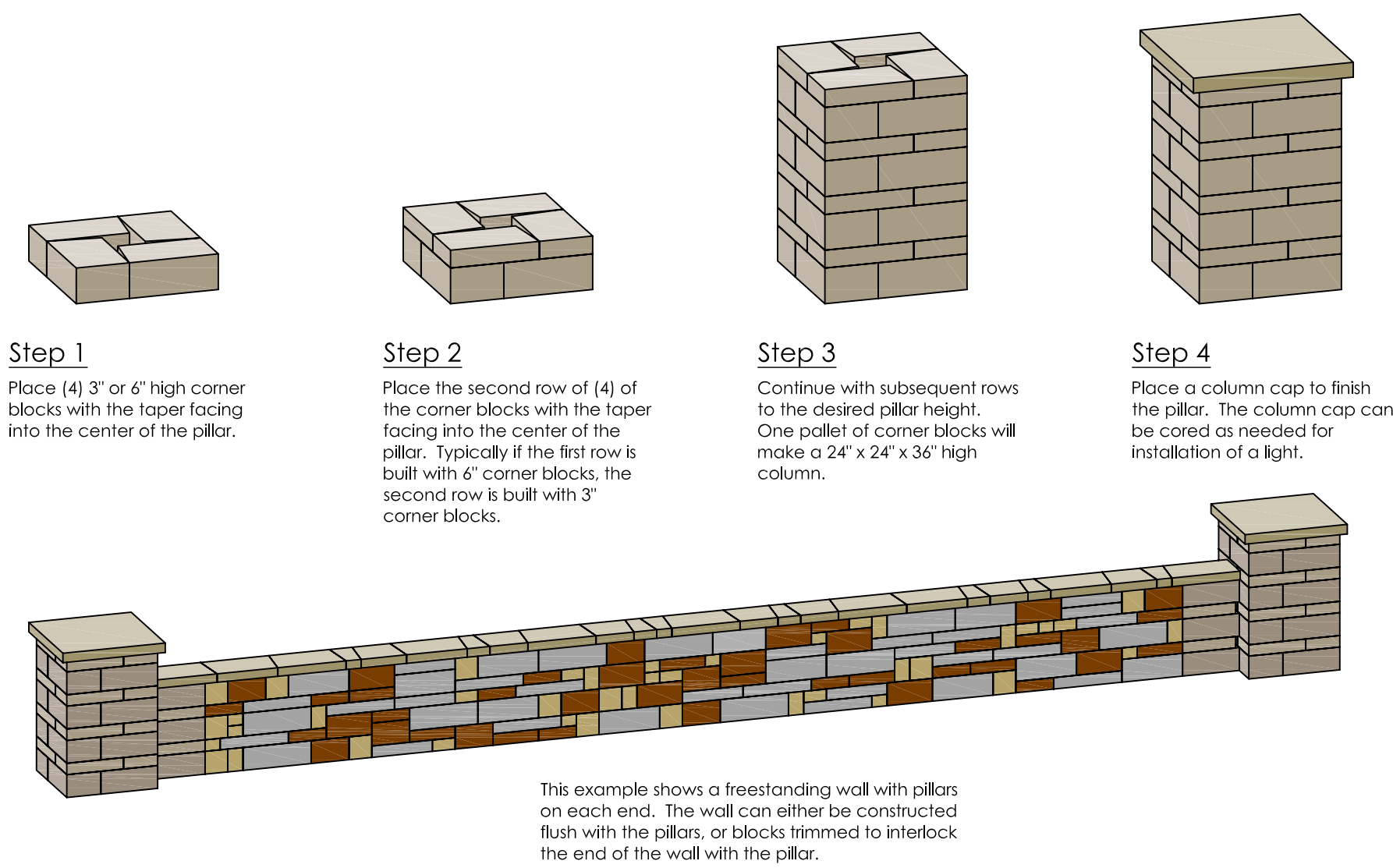
INSIDE CORNER



Interlocking Corner
Place blocks in an overlapping, interlocking pattern at corner for added wall stability.

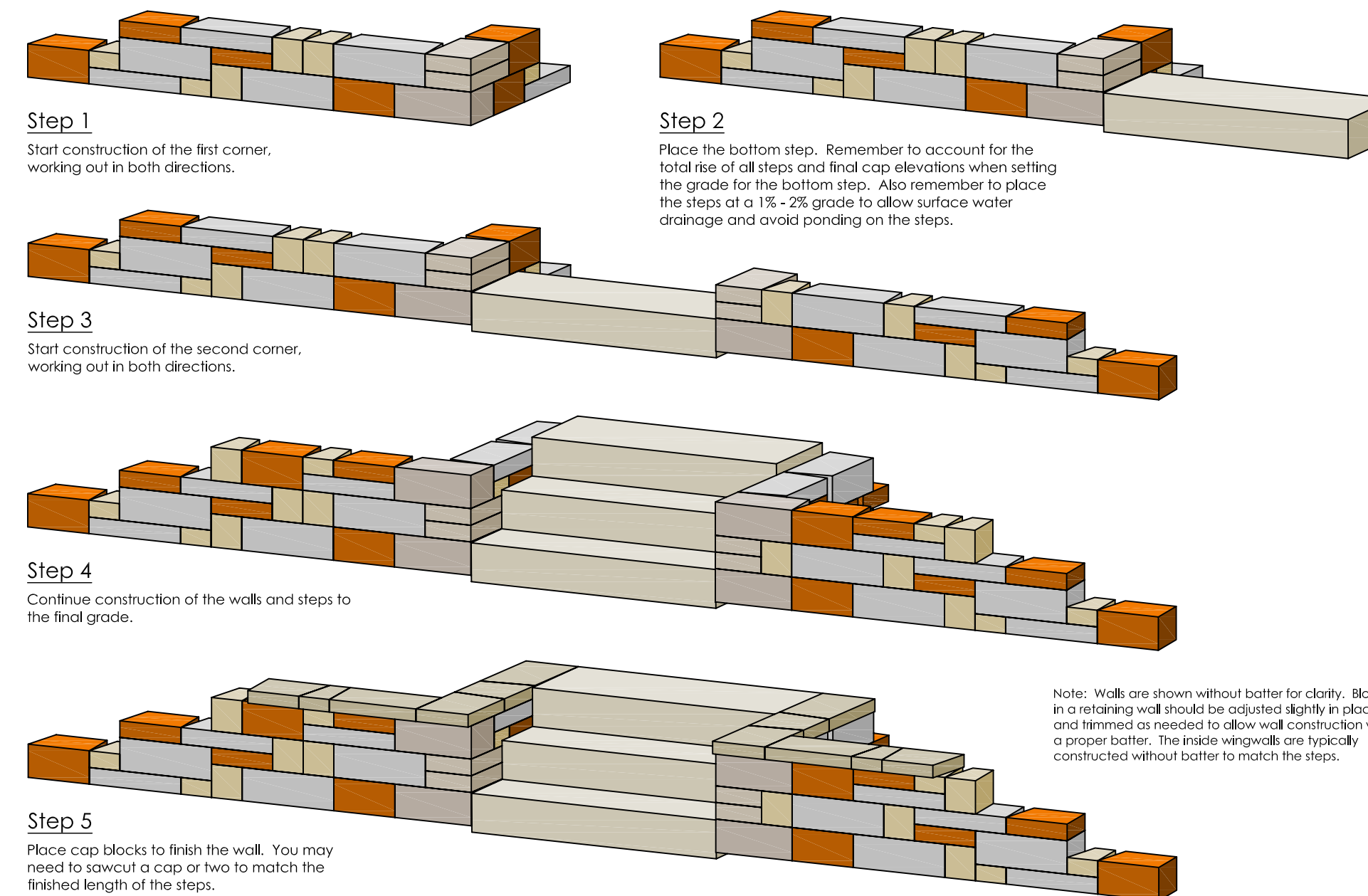
Note: Walls are shown without batter for clarity. Blocks in a retaining wall should be adjusted slightly in place and trimmed as needed to allow wall construction with a proper batter.

PILLAR CONSTRUCTION DETAILS



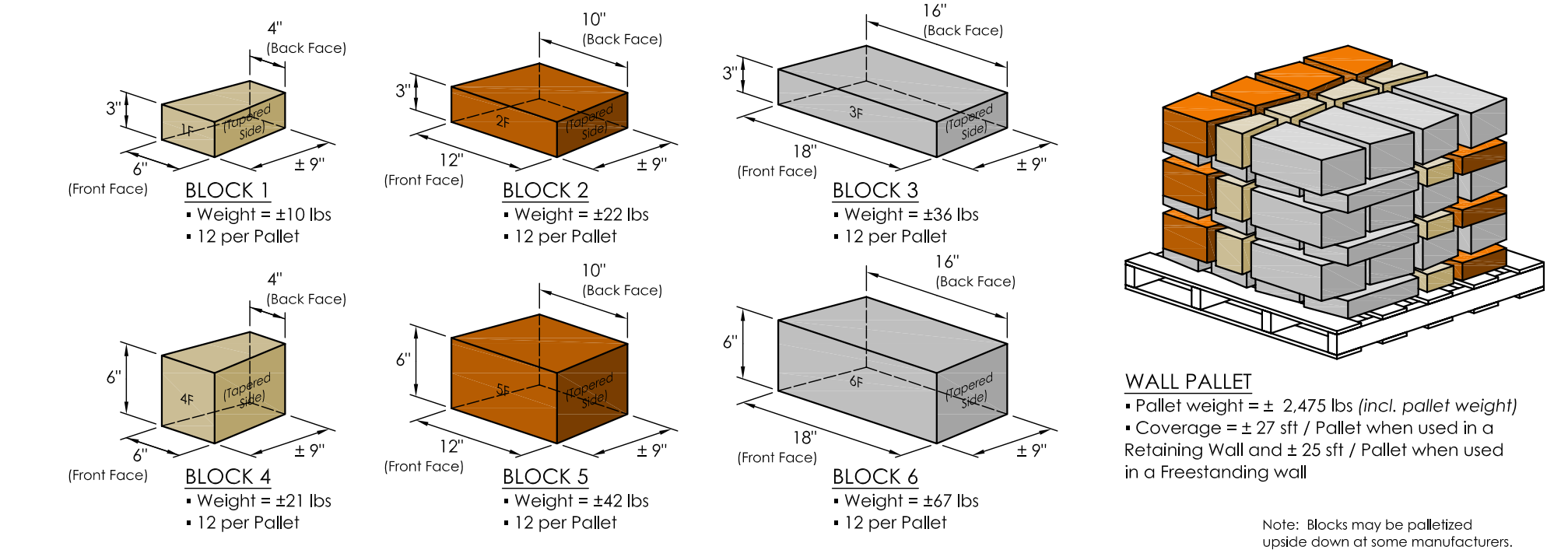
This example shows a freestanding wall with pillars on each end. The wall can either be constructed flush with the pillars, or blocks trimmed to interlock the end of the wall with the pillar.

INSIDE STEPS



Note: Walls are shown without batter for clarity. Blocks in a retaining wall should be adjusted slightly in place and trimmed as needed to allow wall construction with a proper batter. The inside wingwalks are typically constructed without batter to match the steps.

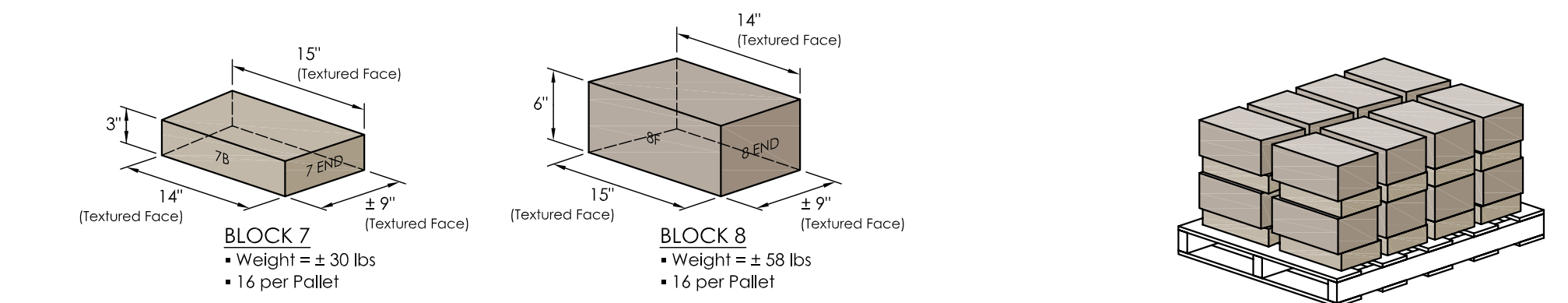
WALL BLOCKS



WALL PALLET
• Pallet weight = ± 2,475 lbs (incl. pallet weight)
• Coverage = ± 27 sq ft / Pallet when used in a Retaining Wall and ± 25 sq ft / Pallet when used in a Freestanding wall

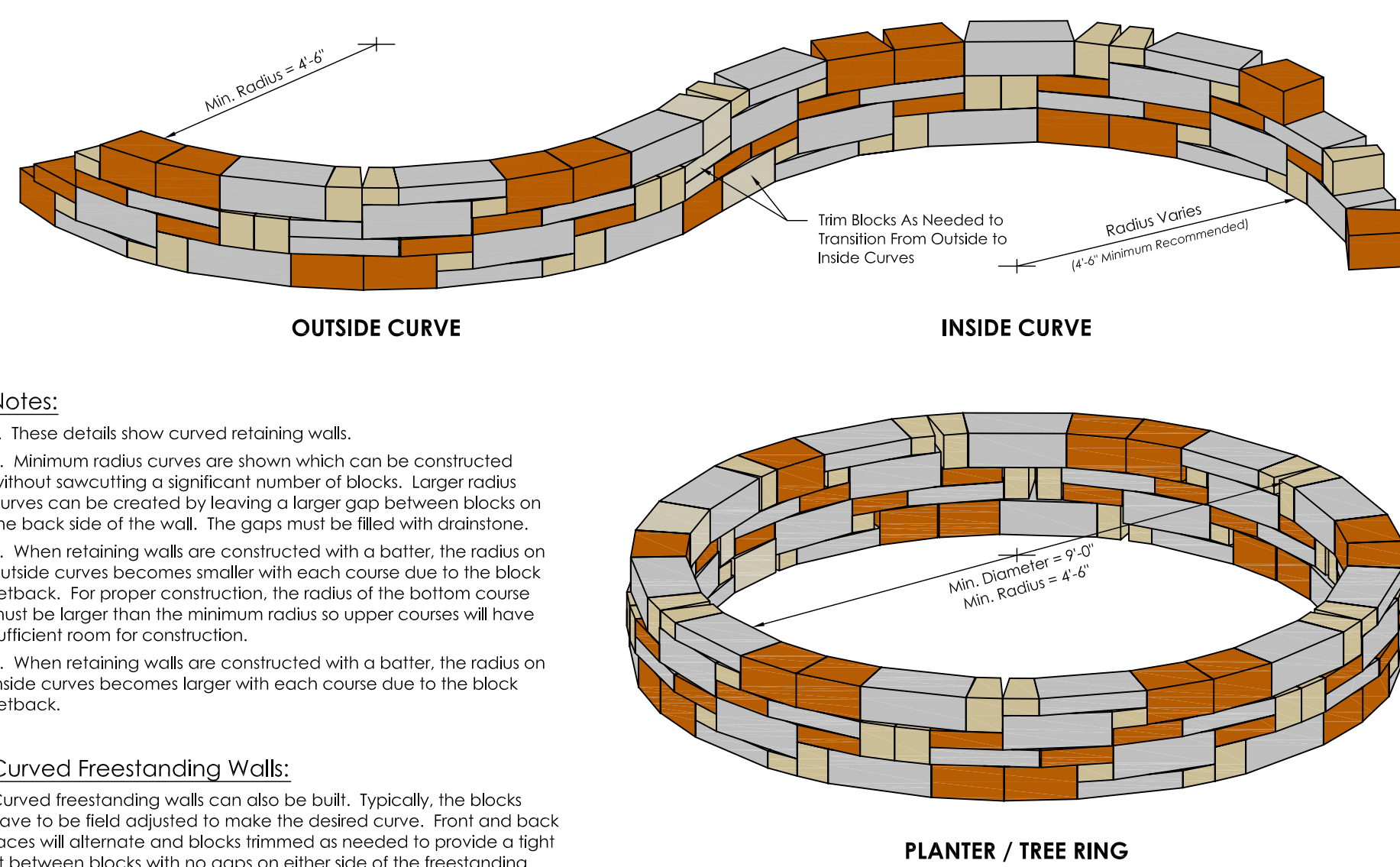
Note: Blocks may be palletized upside down at some manufacturers.

CORNER BLOCKS



CORNER PALLET
• Pallet weight = ± 1,520 lbs (incl. pallet weight)
• Coverage = ± 24 sq ft / Pallet

CURVED WALLS



Notes:

- These details show curved retaining walls.
- Minimum radius curves are shown which can be constructed without sawcutting a significant number of blocks. Larger radius curves can be created by leaving a larger gap between blocks on the back side of the wall. The gaps must be filled with drainstone.
- When retaining walls are constructed with a batter, the radius on outside curves becomes smaller with each course due to the block setback. For proper construction, the radius of the bottom course must be larger than the minimum radius so upper courses will have sufficient room for construction.
- When retaining walls are constructed with a batter, the radius on inside curves becomes larger with each course due to the block setback.

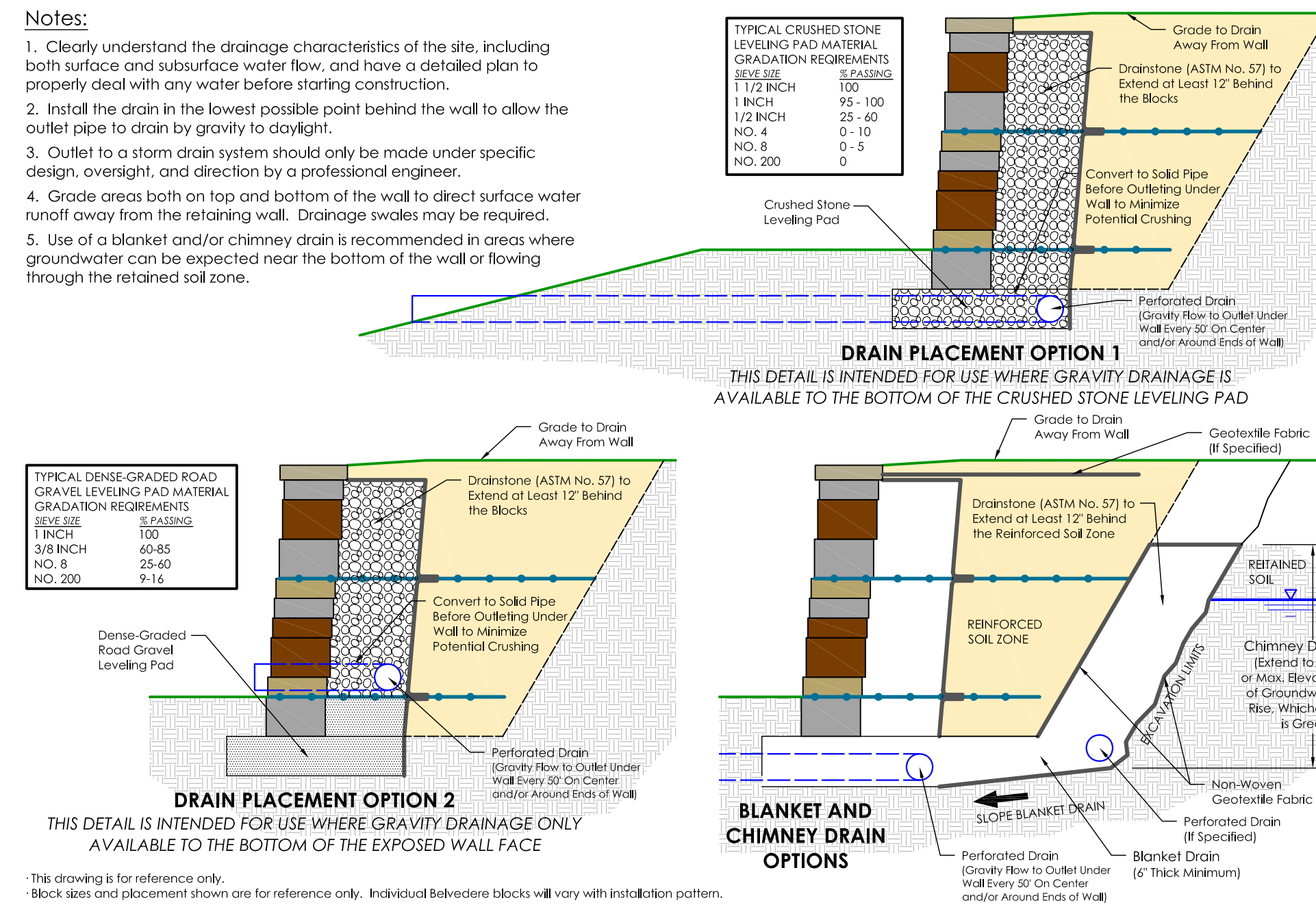
Curved Freestanding Walls:

Curved freestanding walls can also be built. Typically, the blocks have to be field adjusted to make the desired curve. Front and back faces will alternate and blocks trimmed as needed to provide a tight fit between blocks with no gaps on either side of the freestanding wall.

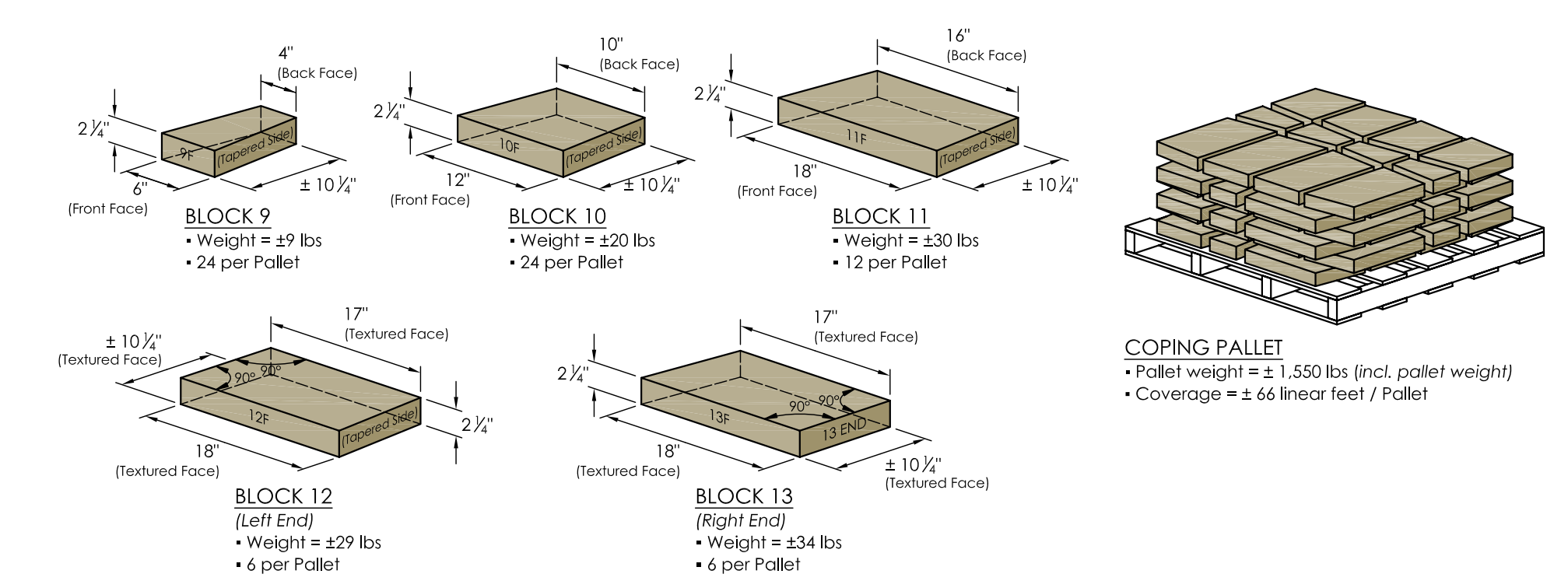
TYPICAL DRAIN PLACEMENT

Notes:

- Clearly understand the drainage characteristics of the site, including both surface and subsurface water flow, and have a detailed plan to properly deal with any water before starting construction.
- Install the drain in the lowest possible point behind the wall to allow the outlet pipe to drain by gravity to daylight.
- Outlet to a storm drain system should only be made under specific design, oversight, and direction by a professional engineer.
- Grade areas both on top and bottom of the wall to direct surface water runoff away from the retaining wall. Drainage swales may be required.
- Use of a blanket and/or chimney drain is recommended in areas where groundwater can be expected near the bottom of the wall or flowing through the retained soil zone.



COPING BLOCKS (CAPS)



COPING PALLET
• Pallet weight = ± 1,550 lbs (incl. pallet weight)
• Coverage = ± 66 linear feet / Pallet

DRAWN BY: J. JOHNSON
APPROVED BY:
DATE: SEPT. 14, 2009
SHEET NO. 1 OF 1

TITLE: COMMON BELVEDERE CONSTRUCTION DETAILS
DRAWING FILE: Belvedere 24x36 Detail Sheet 091409.dwg

BELVEDERE COLLECTION
05481 US 31 SOUTH CHARLEVOIX, MI 49720
877-777-6558 • 231-237-8656 Fax • www.dlscovershield.com