

**Barnes & Cone**  
ARCHITECTURAL MASONRY  
*Manufacturers of Concrete Masonry Since 1926*

# Spec-Brik

Spec-Brik are concrete masonry units designed to simulate clay masonry.

Spec-Brik are manufactured in a large variety of shapes and sizes for both veneer and structural masonry applications.



Panama City Blend Spec-Brik

ABVI/Goodwill Office Building Rochester, New York

Spec-Brik have a dense surface texture and rich color. Flashing equipment applies highlight color to the surface of units before the Spec-Brik are cured in our kilns. The software is flexible which facilitates a wide variety of flashing colors and patterns to satisfy various architectural styles.



Philadelphia Blend Spec-Brik

McBride Street Housing, Syracuse, New York

The large variety of colors available in concrete masonry can provide solutions for unique applications like historic matches.



Black River Blend Spec-Brik

Niagara Street Office, Buffalo, New York

Structural masonry applications combine concrete masonry's engineered properties with the aesthetics of brick. All of the masonry units shown in the wall below are concrete masonry. The various sizes, colors, textures and shapes can be designed into one wall without concern for differential movement.

This architect designed:

8" wide x 8" high x 16" long Beamish Split Face (black)

5" wide x 8" high x 24" long Thunder Road Decro Face Chamfered sills (silver)

8" wide x 8" high x 16" long Thunder Road Split Face (silver)

8" wide x 4" high x 16" long Birmingham Blend Spec- Brik



Birmingham Blend Spec-Brik

Star Bucks, Niagara Falls

When budgets are tight, 8" high Jumbo Spec-Brik are the most economical because the masons lay one unit and cover the same wall area as two 4" high Spec-Brik.

This architect designed:

8" wide x 8" high x 16" long Baltic Blend Spec-Brik (burgundy)

8" wide x 8" high x 16" long Haystack Sand Weathered Decro Face (buff)

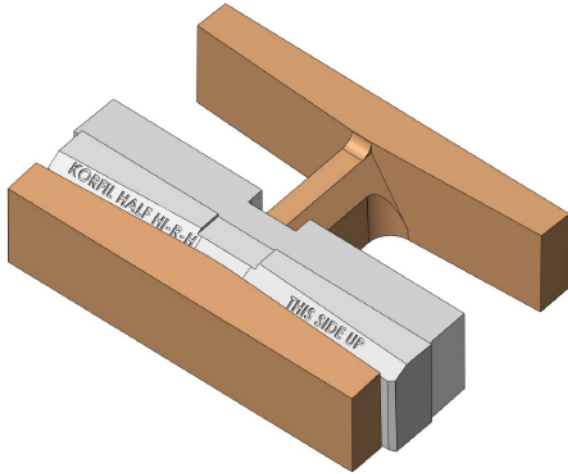
8" wide x 8" high x 16" long Delaware Blend Spec-Brik (red/burgundy range)



Delaware Blend Spec-Brik

Walgreens, Dryden, New York

Spec-Brik Hi-R H are structural masonry walls that are manufactured with 4" inches of high density EPS insulation in the core. The void behind the insulation is solidly grouted.



The mason lays one single wythe of Spec-Brik and building owners can receive:

- ASHRAE compliant walls up to R-15

- 4 hour fire rating

- Attractive & durable Spec-Brik surface on both the inside and exterior

- Great structural capacity

- Solid grouted barrier walls require no in-wall flashing or weeps

- Moisture protection of a solid grouted wall

- The code requires no air barriers for solid grouted masonry barrier walls

- A complete Structural Design Manual is available, written by David Biggs

**One Trade, One 12" Width....One Layer**



Thought that masonry is a slow system to build? Talk to an architect, engineer, or building owner who has used the Hi-R H systems and be prepared to change your mind.

Rick Roach  
[r.roach@barnesandcone.com](mailto:r.roach@barnesandcone.com)  
Mobile: 315 345 5942

Jim O'Brien  
[jimobrien@barnesandcone.com](mailto:jimobrien@barnesandcone.com)  
Mobile: 315 345 5924