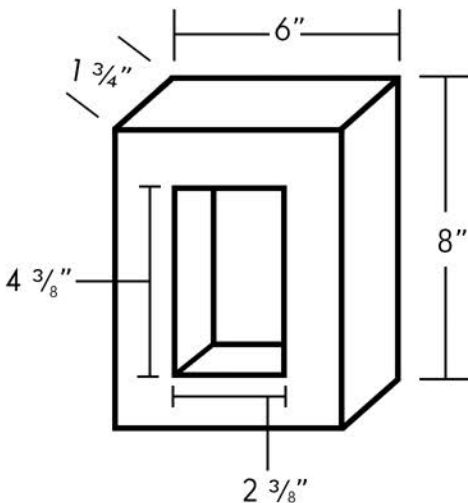


ACCESSORIES  
TECHNICAL DATA

# RECEPTACLE BLOCK

DESCRIPTION	DIMENSIONS	QUANTITY PER BOX/ SKID	WEIGHT BY THE BOX/ SKID
SMOOTH SURFACE COMMONLY USED TO TO HOUSE AN ELECTRICAL OUTLET	1 3/4" W 6" L 8" D	24 PER BOX 16 BOXES PER SKID 384 PER SKID	6 LBS EACH 144 LBS PER BOX 2354 LBS PER SKID*

\*50 LBS ADDED FOR PALLET WEIGHT



MEASUREMENT TOLERANCE: 1/4"

## AVAILABLE COLORS

